



**Non-Adjustable Chinning Bar
Model # 436-135**

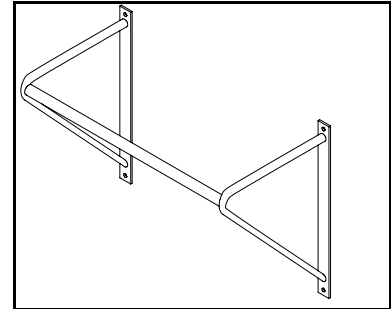
AAI SPECIFICATIONS

DATE: 01/01/06

MODEL NUMBER: 436135

DESCRIPTION: Non-Adjustable Chinning Bar

GENERAL DIMENSIONS: The AAI Non-Adjustable Chinning bar is designed for use in strength training programs in physical education or athletic programs. The AAI Non-Adjustable Chinning bar is fixed at a height determined by the installer. The bar is 1-5/16" (33mm) in diameter and 32" (813mm) wide. The wall brackets are 24" (610mm) high.



CONSTRUCTION: The bar is a one-piece weldment consisting of two wall brackets, two side rails and one chinning bar.

The wall brackets shall be constructed of 1/4" x 1-3/4" x 24" (6mm x 44mm x 610mm) hot rolled flat steel, with two mounting holes drilled through each bracket. Scotch-Tread® shall be attached to the side of the brackets against the wall.

The side rails shall be constructed of 1" (25mm) diameter steel tubing with a 14 gauge (2mm) wall thickness. The rails shall be bent into a U-shape and welded to the wall brackets.

The chinning bar itself shall be constructed of 1-5/16" (33mm) diameter steel tubing with a 13 gauge (2.4mm) wall thickness. The chinning bar shall be welded to the side rails.

The entire unit shall be finished with a baked metallic blue powder coat.

SHIPPING INFORMATION:

1 package - 17 lb. (8kg), 25" x 19" x 33" (635mm x 483mm x 838mm), 9.07 CF