



5' Wall Mounted Ballet Bar
Model # 405-010

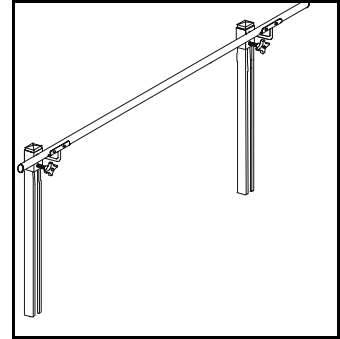
AAI SPECIFICATIONS

DATE: 01/01/06

MODEL NUMBER: 405010

DESCRIPTION: 5' Wall Mounted Ballet Bar

GENERAL DIMENSIONS: Wall Mounted Ballet Bars are for use in dance and physical education training. The ballet bar is 60" (1524mm) long and has infinite height adjustment over a 26" (660mm) range. The height of the bar is dependent upon where the uprights are mounted.



CONSTRUCTION: The 5' wall mounted ballet bar consists of two (2) uprights, two (2) adjustment plate assemblies, and one (1) bar.

Uprights: The ballet bar uprights are made from a Unistrut P2000 channel or equivalent. The channel is constructed of mild strip steel and is 1.63" (41mm) wide, 1.63" (41mm) deep and has a 0.88" (22mm) opening on the front side. The overall length of the upright is 29-7/8" (759mm). There are two 9/32" (7mm) holes drilled through the back of the channel. These holes are 3/4" (19mm) from either end of the channel for mounting the upright to the wall. The ballet bar includes a lag shield and a 1/4 x 1-1/2 lag screw for mounting the bar to the wall.

Adjustment Plate Assemblies: The ballet bar itself attaches to the uprights via two adjustment plate assemblies. These assemblies consist of a 7 gauge (4.6mm) thick steel adjustment plate bent to fit inside the upright channel. A spring loaded knob exerts pressure on the upright to maintain height adjustment. The bar height is adjusted by loosening the knob and sliding the bar along the channel to the desired height, then re-tightening the bar to secure it in place.

Ballet Bar: The bar itself is manufactured from steel tubing 1-1/2" (38mm) in diameter with a 16 gauge (1.7mm) wall thickness. The bar is laminated for a wood texture using a maple flexwood laminate.

SHIPPING INFORMATION:

1 package - 20 lb. (9kg), 5" x 5" x 80" (127mm x 127mm x 2032mm), 1.16 CF