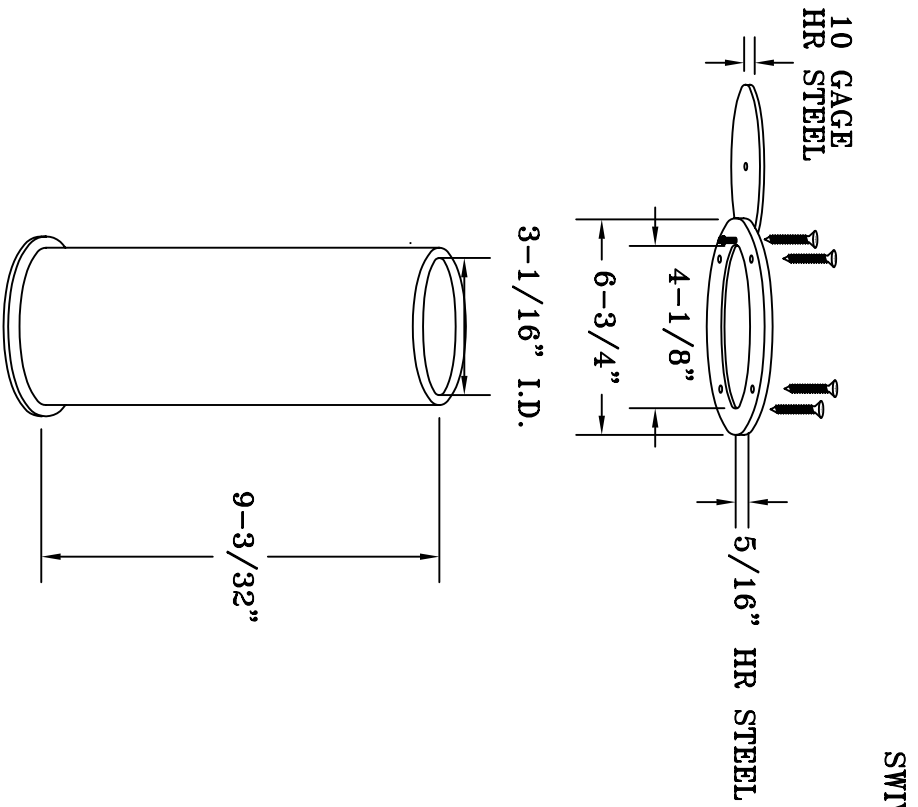
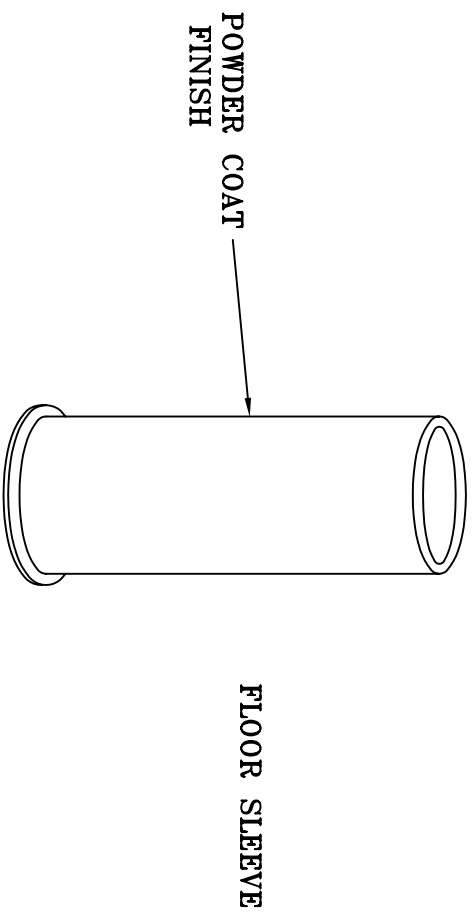
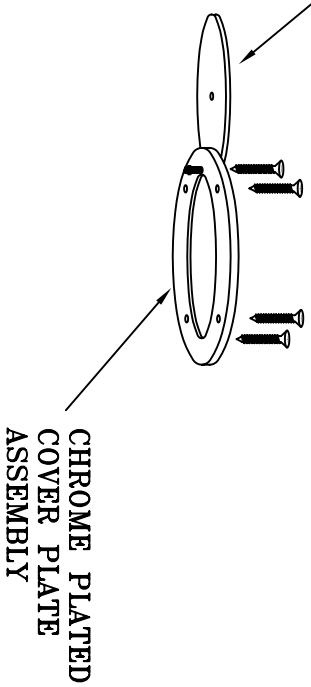


SPALDING®

**Swivel Floor Plate/Sleeve
Model # 408-552 & 408-553**



SWIVEL COVER PLATE



SWIVEL VOLLEYBALL FLOOR PLATE/SLEEVE

DO NOT SCALE

SCG #0408552/0408553



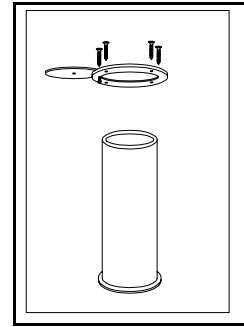
SPALDING SPECIFICATIONS

DATE: 01/01/06

MODEL NUMBER: 408552

DESCRIPTION: Swivel Floor Plate/Sleeve – Pair

GENERAL DIMENSIONS: The Spalding swivel volleyball floor plates/sleeves are designed for use with Spalding's Elite volleyball systems that have 3" (76mm) O.D. uprights. The floor plate package consists of two floor sleeves and two cover plate assemblies. The cover plates are chrome-plated steel and swivel 180° out of the way when the floor sleeves are in use.



CONSTRUCTION:

Cover Plate Assembly: The cover plate assembly consists of a 6.75" diameter (171mm) outer ring made of 5/16" (8mm) hot rolled steel that attaches to the wood floor with four (4) #8 tapping screws. The cover plate itself is 5.207" (132mm) diameter 10 gauge (3.4mm) hot-rolled steel and is attached to the outer ring using a #12 screw and lock nut. A spring retainer assists in rotating the cover plate out of the way. The cover plate and outer ring are chrome plated.

Floor Sleeve: The floor plate sleeve is made from 3-1/2" (89mm) O.D. steel tubing with a 3-1/16" (78mm) inside diameter and length of 9-3/32" (231mm). An end cap is welded onto the bottom of the tube. The floor sleeve is finished with a baked metallic blue powder coat to inhibit corrosion.

SHIPPING INFORMATION:

1 package - 17 lb. (8kg), 8" x 6" x 9" (203mm x 152mm x 229mm), 0.25 CF