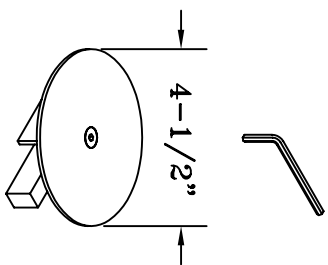


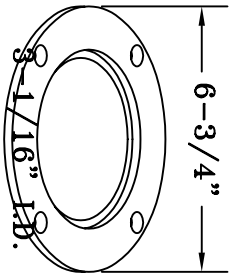
# **SPALDING®**

**Locking Floor Plate/Sleeve  
Model # 408-450 & 408-451**



HEX KEY

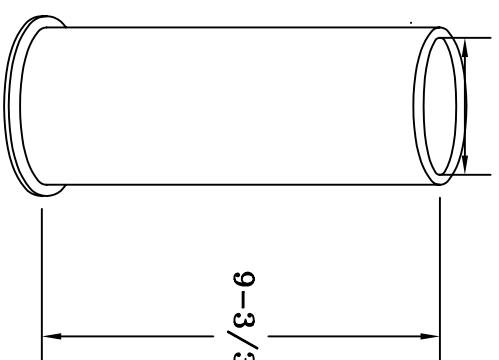
COVER PLATE  
ASSEMBLY



HEX KEY LOCKS FLOOR PLATE  
IN PLACE USING LOCKING BAR  
AND SPRING MECHANISM

CHROME PLATED

FLOOR PLATE  
RING



POWDER COAT  
FINISH

FLOOR SLEEVE

\*\*CONTAINS ONE  
PAIR OF LOCKING  
PLATES AND SLEEVES

**LOCKING VOLLEYBALL FLOOR PLATE/SLEEVE**

DO NOT SCALE

SCG #0408450/408451



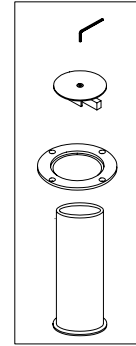
# SPALDING SPECIFICATIONS

DATE: 01/01/06

**MODEL NUMBER:** 408450

**DESCRIPTION:** Locking Volleyball Floor Plate/Sleeve - Pair

**GENERAL DIMENSIONS:** The Spalding Locking volleyball floor plates are designed for use with Spalding's Elite volleyball systems that have 3" (76mm) O.D. uprights. The floor plate package consists of two floor sleeves, two retaining rings and two cover plate assemblies. The cover plate is chrome-plated steel and has a locking bar on the underside that can be used to secure the floor plates in position when the volleyball uprights are not in use. A 5/32" hex key is included to lock the floor plate covers in position.



## CONSTRUCTION:

**Floor sleeves:** Spalding floor sleeves are constructed of heavy-duty steel tubing with a 3-1/16" (78mm) inner diameter. This allows an easy installation of the uprights with minimal movement of the uprights after installation. The floor sleeves are 9-3/32" (231mm) deep and have a baked blue powder coat finish.

**Retaining ring:** The cover plate outer ring shall be 6-3/4" (171mm) in diameter and 1/4" (6.5mm) thick, with a 4-1/4" (108mm) diameter opening for the upright to be placed in the floor sleeves. The retaining ring shall be attached to the floor with four 1/4" x 1-1/2" (6.5mm x 38mm) tapping screws. It shall have a chrome plated finish.

**Cover plate assembly:** The cover shall be 4-3/4" (121mm) in diameter and .1046" (2.66mm) thick and shall be hinged to the outer ring. The cover shall seat in the outer ring so that it is flush with the floor surface when closed. A locking bar shall be attached to the bottom of the cover plate with a hex head screw. The screw can be used to tighten the locking bar against the underside of the retaining ring so that the cover is locked into place. The cover plate shall have a chrome plated finish.

## SHIPPING INFORMATION:

1 package - 19 lb. (9kg), 5" x 9" x 14" (127mm x 229mm x 356mm), 0.36 CF