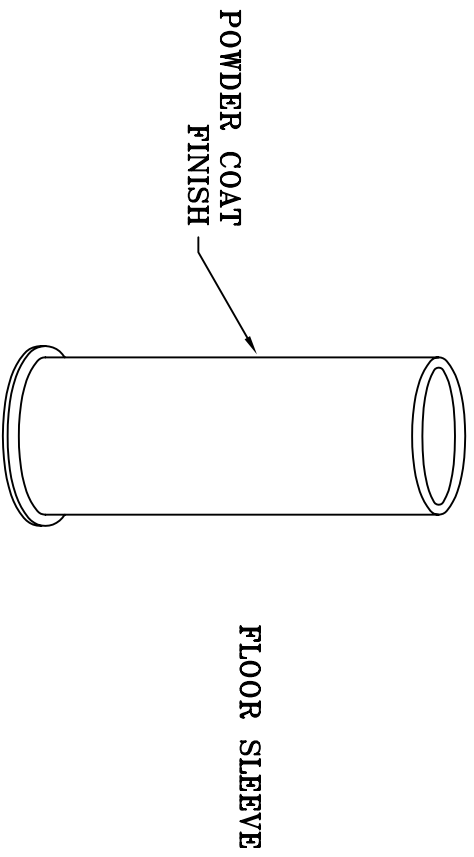
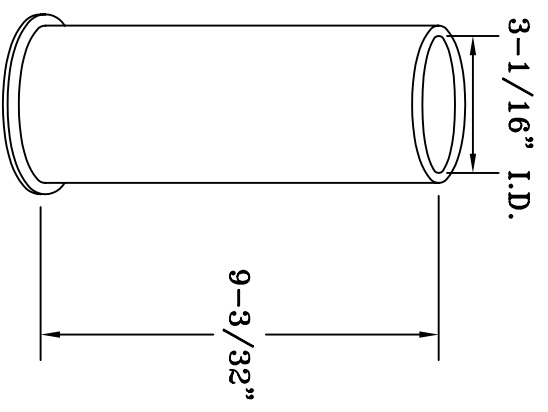
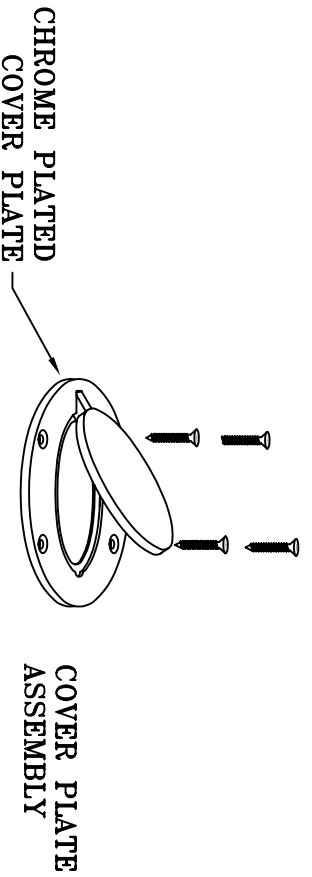
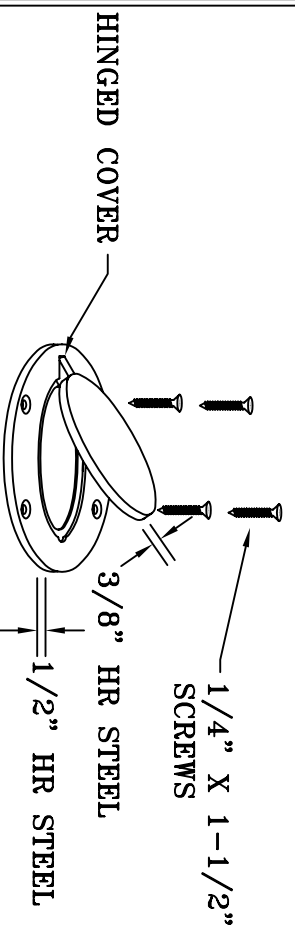


SPALDING®

**Elite Floor Plate/Sleeve
Model # 408-302 & 408-303**



ELITE VOLLEYBALL FLOOR PLATE/SLEEVE

DO NOT SCALE

SCG #0408302/0408303

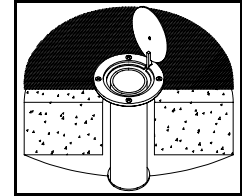


SPALDING SPECIFICATIONS

DATE: 01/01/06

MODEL NUMBER: 408302

DESCRIPTION: Elite Volleyball Floor Plate/Sleeve-Pair



GENERAL DIMENSIONS: The Spalding Elite volleyball floor plates/sleeves are designed for use with Spalding's Elite volleyball systems that have 3" (76mm) O.D. uprights. The floor plate package consists of two floor sleeves and two cover plate packages. The cover plate is chrome-plated steel and has a hinged cover that closes to flush with the floor when the volleyball uprights are not in use. The Elite plates have a heavy-duty cover that resists damage under normal usage.

CONSTRUCTION:

FLOOR SLEEVES: Spalding floor sleeves are constructed of heavy-duty steel tubing with a 3-1/16" (78mm) inner diameter. This allows an easy installation of the uprights with minimal movement of the uprights after installation. The floor sleeves are 9-3/32" (231mm) deep and have a baked blue powder coat finish.

COVER PLATE PACKAGE: The cover plate outer ring shall be 6-3/4" (171mm) in diameter and 1/2" (13mm) thick, with a 4-1/4" (108mm) diameter opening for the upright to be placed in the floor sleeves. The cover shall be 4-3/4" (121mm) in diameter and 3/8" (9.5mm) thick and shall be hinged to the outer ring. The cover shall be seated in the outer ring so that it is flush with the floor surface when closed. The cover plate shall be attached to the floor with four 1/4" x 1-1/2" (6/35mm x 38mm) tapping screws. The cover plate and outer ring shall have a chrome plated finish.

SHIPPING INFORMATION:

1 package - 23 lb. (10kg), 6" x 9" x 9" (152mm x 229mm x 229mm), 0.28 CF